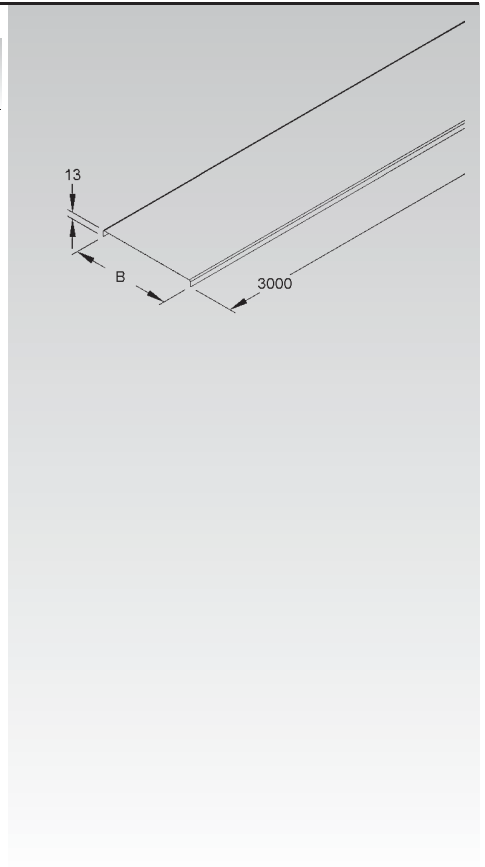


Cover for Cable Tray/Ladder

model no.	width B mm/Inch	EAN code	Weight per 100 m kg
S RD 70	70/2,7	260157	73
S RD 100	100/3,9	260300	95
S RD 120	120/4,7	260355	114
S RD 150	150/5,8	260409	126
S RD 200	200/7,8	260508	175
S RD 250	250/9,8	260607	213
S RD 300	300/11,7	260706	256
S RD 400	400/15,6	260805	336
S RD 500	500/19,5	260904	416
S RD 550	550/21,4	261000	458
S RD 600	600/23,4	261109	496
F RD 100 F	100/3,9	262502	78,5
F RD 150 F	150/5,8	262601	127
F RD 200 F	200/7,8	262700	175
F RD 250 F	250/9,8	262809	214
F RD 300 F	300/11,7	262908	257
F RD 400 F	400/15,6	263004	337
F RD 500 F	500/19,5	263103	417
F RD 550 F	550/21,4	263202	459
F RD 600 F	600/23,4	263301	497
E3 RD 100 E3	100/3,9	336203	95
E3 RD 200 E3	200/7,8	336302	175
E3 RD 300 E3	300/11,7	336401	256
E3 RD 400 E3	400/15,6	336500	336
E3 RD 500 E3	500/19,5	336609	416
E3 RD 550 E3	550/21,4	336708	416
E3 RD 600 E3	600/23,4	336807	496

To be used for: cable ladder horizontal bends of 35 mm, 60 mm, 85 mm and 110 mm, type RLV ..., RLR..., RL..., RS..., RLC..., RSV... as well as for cable ladders with a side rail height of 60 mm and 100 mm, type KL...



CABLE TRAY SYSTEM COVERS

Cover for Cable Tray/Ladder

with turnbolt locks

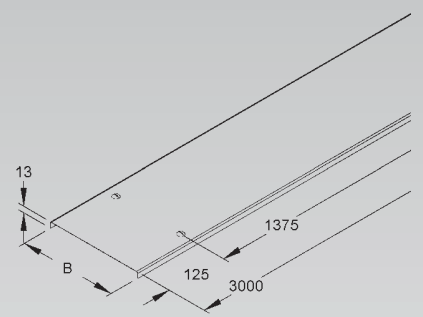
model no.	width B mm/Inch	EAN code	Weight per 100 m kg
S RDV 70	70/2,7	261253	55
S RDV 100	100/3,9	261406	97
S RDV 120	120/4,7	261451	116
S RDV 150	150/5,8	261505	129
S RDV 200	200/7,8	261604	177
S RDV 250	250/9,8	261703	216
S RDV 300	300/11,7	261802	260
S RDV 400	400/15,6	261901	340
S RDV 500	500/19,5	262007	420
S RDV 550	550/21,4	262106	460
S RDV 600	600/23,4	262205	500
F RDV 100 F	100/3,9	263608	97
F RDV 150 F	150/5,8	263707	129
F RDV 200 F	200/7,8	263806	177
F RDV 250 F	250/9,8	263905	216
F RDV 300 F	300/11,7	264001	260
F RDV 400 F	400/15,6	264100	340
F RDV 500 F	500/19,5	264209	420
F RDV 550 F	550/21,4	264308	460
F RDV 600 F	600/23,4	264407	500
E3 RDV 100 E3	100/3,9	336906	97
E3 RDV 200 E3	200/7,8	337002	177
E3 RDV 300 E3	300/11,7	337101	257
E3 RDV 400 E3	400/15,6	337200	340
E3 RDV 500 E3	500/19,5	337309	420
E3 RDV 550 E3	550/21,4	337408	460
E3 RDV 600 E3	600/23,4	337507	500
E5 RDV 100 E5	100/3,9	891009	80
E5 RDV 200 E5	200/7,8	891023	143
E5 RDV 300 E5	300/11,7	891047	209
E5 RDV 400 E5	400/15,6	891061	273

Turn-bolt locks for finish E3 and E5 are always made of stainless steel type E5.

To be used for: cable ladder horizontal bends of 35 mm, 60 mm, 85 mm and 110 mm, type RLV ..., RLR..., RL..., RS..., RLC..., RSV... as well as for cable ladders with a side rail height of 60 mm and 100 mm, type KL...

Outdoor usage requires additional securing against windloads etc. using ex. self tapping screws or steel cable ties.

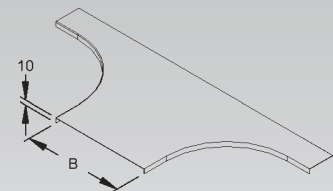
use turnbolt lock RDRS 9 and cover clamp RDHF 9 E2 for extra requirements



Cover for Horizontal Extension Tee

model no.	width B mm/Inch	EAN code	Weight per 100 pc. kg
S RTAD 70	70/2,7	266852	44
S RTAD 100	100/3,9	266906	50
S RTAD 120	120/4,7	266951	54
S RTAD 150	150/5,8	267002	60
S RTAD 200	200/7,8	267101	70
S RTAD 250	250/9,8	267200	80
S RTAD 300	300/11,7	267309	90
S RTAD 400	400/15,6	267408	140
S RTAD 500	500/19,5	267507	160
S RTAD 550	550/21,4	267606	180
S RTAD 600	600/23,4	267705	190
F RTAD 100 F	100/3,9	558100	50
F RTAD 150 F	150/5,8	558209	60
F RTAD 200 F	200/7,8	558308	70
F RTAD 300 F	300/11,7	558506	90
F RTAD 400 F	400/15,6	558605	140
F RTAD 500 F	500/19,5	558704	160
F RTAD 550 F	550/21,4	558803	180
F RTAD 600 F	600/23,4	558902	190

To be used for: extension horizontal tee for cable trays, side rail height 35 mm, 60 mm, 85 mm or 110 mm, type RTA ...



Cover for Horizontal Extension Tee

with turnbolt locks

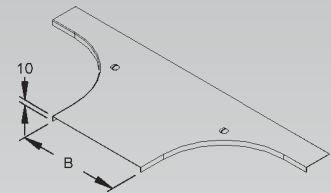
model no.	width B mm/Inch	EAN code	Weight per 100 pc. kg
S RTADV 70	70/2,7	845804	44
S RTADV 100	100/3,9	277100	50
S RTADV 120	120/4,7	845859	54
S RTADV 150	150/5,8	277209	60
S RTADV 200	200/7,8	277308	70
S RTADV 250	250/9,8	277407	80
S RTADV 300	300/11,7	274802	90
S RTADV 400	400/15,6	277506	140
S RTADV 500	500/19,5	277605	160
S RTADV 550	550/21,4	277704	180
S RTADV 600	600/23,4	277803	190
F RTADV 100 F	100/3,9	559008	50
F RTADV 150 F	150/5,8	559107	60
F RTADV 200 F	200/7,8	559206	70
F RTADV 300 F	300/11,7	559404	90
F RTADV 400 F	400/15,6	559503	140
F RTADV 500 F	500/19,5	559602	160
F RTADV 550 F	550/21,4	559701	180
F RTADV 600 F	600/23,4	559800	190
E3 RTADV 100 E3	100/3,9	339600	50
E3 RTADV 200 E3	200/7,8	339709	70
E3 RTADV 300 E3	300/11,7	339808	90
E3 RTADV 400 E3	400/15,6	339907	140
E3 RTADV 500 E3	500/19,5	340002	160
E3 RTADV 550 E3	550/21,4	340057	170
E3 RTADV 600 E3	600/23,4	340101	190

Turn-bolt locks for finish F and E3 are always made of stainless steel type E5.

To be used for: extension horizontal tee for cable trays, side rail height 35 mm, 60 mm, 85 mm or 110 mm, type RTA ...

Outdoor usage requires additional securing against windloads etc. using ex. self tapping screws or steel cable ties.

use turnbolt lock RDRS 9 and cover clamp RDHF 9 E2 for extra requirements



Cover for Flexible Fitting

model no.	width B mm/Inch	EAN code	Weight per 100 pc. kg
★ S RBAVD 70	70/2,7	925858	19,6
★ S RBAVD 100	100/3,9	922529	32,5
★ S RBAVD 120	120/4,7	922536	42,9
★ S RBAVD 150	150/5,8	930463	61
★ S RBAVD 200	200/7,8	922543	98
★ S RBAVD 250	250/9,8	922550	143,2
★ S RBAVD 300	300/11,7	922567	198,2
★ S RBAVD 400	400/15,6	922581	332,6
★ S RBAVD 500	500/19,5	922604	501,8
★ S RBAVD 550	550/21,4	922611	598,5
★ S RBAVD 600	600/23,4	922628	705,2

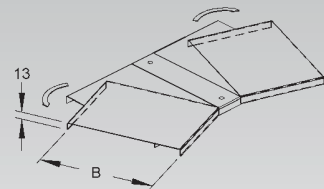
adjustable from 0 - 90°.

To be used for: flexible horizontal elbow RBAV... for cable tray with a height of 60, 85 or 110 mm, adjustable from 0° to 90°

Covers are attached by using stainless steel clamp RDHF 9 E2. For horizontal mounting only.

Outdoor usage requires additional securing against windloads etc. using ex. self tapping screws or steel cable ties.

4x RDHF 9 E2 cover clips required per cover. Please order separately.

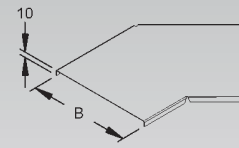


CABLE TRAY SYSTEM COVERS

Cover for 45° Elbow

model no.	width B mm/Inch	EAN code	Weight per 100 pc. kg
S RBAD 100	100/3,9	264506	22,8
S RBAD 150	150/5,8	264605	35
S RBAD 200	200/7,8	264704	48,8
S RBAD 250	250/9,8	264803	64,1
S RBAD 300	300/11,7	264902	81,2
S RBAD 400	400/15,6	265008	120,1
S RBAD 500	500/19,5	265107	165,6
S RBAD 550	550/21,4	265206	190,7
S RBAD 600	600/23,4	265305	217,5
F RBAD 100 F	100/3,9	554508	24,5
F RBAD 150 F	150/5,8	554607	37,6
F RBAD 200 F	200/7,8	554706	52,4
F RBAD 300 F	300/11,7	554904	87,3
F RBAD 400 F	400/15,6	555000	129,1
F RBAD 500 F	500/19,5	555109	178
F RBAD 550 F	550/21,4	555208	205
F RBAD 600 F	600/23,4	555307	233,8

To be used for: cable ladder horizontal bends of 45 ° for side rail heights of 35 mm, 60 mm, 85 mm and 110 mm, type RBA



Cover for 45° Elbow

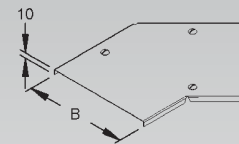
with turnbolt locks

model no.	width B mm/Inch	EAN code	Weight per 100 pc. kg
S RBADV 100	100/3,9	275106	24,5
S RBADV 150	150/5,8	275205	36,6
S RBADV 200	200/7,8	275304	50,4
S RBADV 250	250/9,8	275403	65,8
S RBADV 300	300/11,7	275502	82,8
S RBADV 400	400/15,6	275601	121,7
S RBADV 500	500/19,5	275700	167,2
S RBADV 550	550/21,4	275809	192,4
S RBADV 600	600/23,4	275908	219,1
F RBADV 100 F	100/3,9	555406	27,3
F RBADV 150 F	150/5,8	555505	40,4
F RBADV 200 F	200/7,8	555604	55,2
F RBADV 300 F	300/11,7	555802	90,1
F RBADV 400 F	400/15,6	555901	131,9
F RBADV 500 F	500/19,5	556007	180,8
F RBADV 550 F	550/21,4	556106	207,9
F RBADV 600 F	600/23,4	556205	236,7

Turn-bolt locks for finish F are always made of stainless steel type E5.

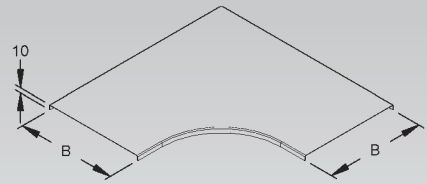
To be used for: cable ladder horizontal bends of 45 ° for side rail heights of 35 mm, 60 mm, 85 mm and 110 mm, type RBA

Outdoor usage requires additional securing against windloads etc. using ex. self tapping screws or steel cable ties.



Cover for 90° Elbow

model no.	width B mm/Inch	EAN code	Weight per 100 pc. kg
S RESD 70	70/2,7	265657	35,9
S RESD 100	100/3,9	265701	37,4
S RESD 120	120/4,7	265756	59,4
S RESD 150	150/5,8	265800	75,4
S RESD 200	200/7,8	265909	95,2
S RESD 250	250/9,8	266005	138,8
S RESD 300	300/11,7	266104	159,8
S RESD 400	400/15,6	266203	265,1
S RESD 500	500/19,5	266302	368,5
S RESD 550	550/21,4	266401	423,4
S RESD 600	600/23,4	266500	487,7
F RESD 100 F	100/3,9	556304	39,9
F RESD 150 F	150/5,8	556403	81
F RESD 200 F	200/7,8	556502	101,7
F RESD 300 F	300/11,7	556700	170,7
F RESD 400 F	400/15,6	556809	283,2
F RESD 500 F	500/19,5	556908	393,6
F RESD 550 F	550/21,4	557004	455,2
F RESD 600 F	600/23,4	557103	520,9

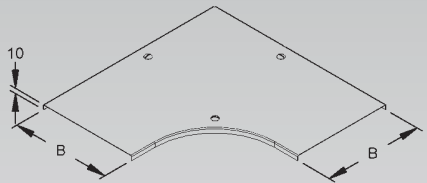


To be used for: cable ladder horizontal bends of 90° for side rail heights of 110 mm, type RESS

Cover for 90° Elbow

with turnbolt locks

model no.	width B mm/Inch	EAN code	Weight per 100 pc. kg
S RESDV 70	70/2,7	845903	37,5
S RESDV 100	100/3,9	276202	38,8
S RESDV 120	120/4,7	845958	61
S RESDV 150	150/5,8	276301	77
S RESDV 200	200/7,8	275007	96,9
S RESDV 250	250/9,8	276400	140,5
S RESDV 300	300/11,7	274901	161,5
S RESDV 400	400/15,6	276509	266,8
S RESDV 500	500/19,5	276608	370,1
S RESDV 550	550/21,4	276707	425,1
S RESDV 600	600/23,4	276806	489,3
F RESDV 100 F	100/3,9	557202	42,8
F RESDV 150 F	150/5,8	557301	83,9
F RESDV 200 F	200/7,8	557400	104,6
F RESDV 300 F	300/11,7	557608	173,6
F RESDV 400 F	400/15,6	557707	286,1
F RESDV 500 F	500/19,5	557806	396,5
F RESDV 550 F	550/21,4	557905	459
F RESDV 600 F	600/23,4	558001	523,8
E3 RESDV 100 E3	100/3,9	338405	42,5
E3 RESDV 200 E3	200/7,8	338504	87,3
E3 RESDV 300 E3	300/11,7	338603	144,8
E3 RESDV 400 E3	400/15,6	338702	267,8
E3 RESDV 500 E3	500/19,5	338801	371,1
E3 RESDV 600 E3	600/23,4	338900	490,3



Turn-bolt locks for finish F and E3 are always made of stainless steel type E5.

To be used for: cable ladder horizontal bends of 90° for side rail heights of 110 mm, type RESS

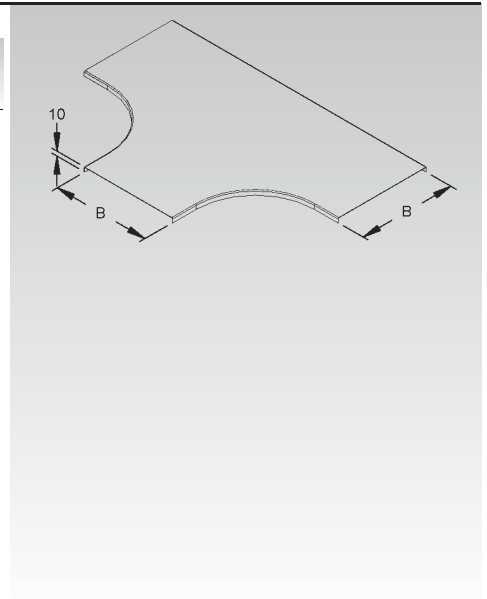
Outdoor usage requires additional securing against windloads etc. using ex. self tapping screws or steel cable ties.

CABLE TRAY SYSTEM COVERS

Cover for Horizontal Tee

model no.	width B mm/Inch	EAN code	Weight per 100 pc. kg
S RTSD 100	100/3,9	268108	50
S RTSD 150	150/5,8	268207	80
S RTSD 200	200/7,8	268306	100
S RTSD 250	250/9,8	268405	140
S RTSD 300	300/11,7	268504	180
S RTSD 400	400/15,6	268603	230
S RTSD 500	500/19,5	268702	440
S RTSD 550	550/21,4	268801	520
S RTSD 600	600/23,4	268900	570
F RTSD 100 F	100/3,9	559909	50
F RTSD 150 F	150/5,8	560004	80
F RTSD 200 F	200/7,8	560103	100
F RTSD 300 F	300/11,7	560301	180
F RTSD 400 F	400/15,6	560400	230
F RTSD 500 F	500/19,5	560509	440
F RTSD 550 F	550/21,4	560608	520
F RTSD 600 F	600/23,4	560707	570

To be used for: cable tray horizontal tee for side rail height of 35 mm, 60 mm, 85 mm and 110 mm, type RTS...



Cover for Horizontal Tee

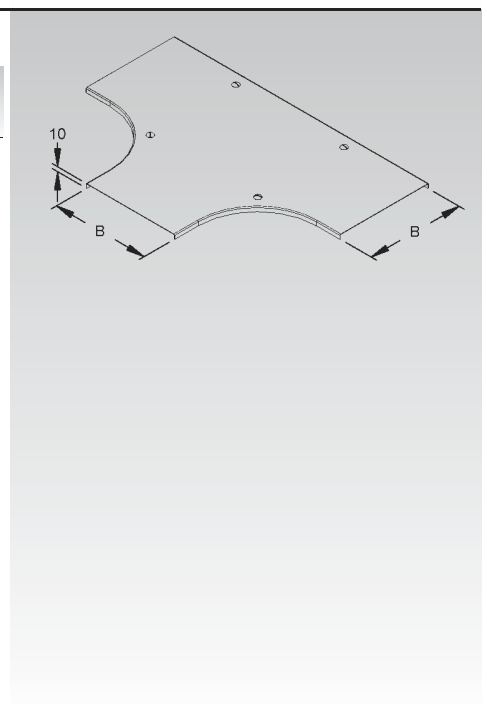
with turnbolt locks

model no.	width B mm/Inch	EAN code	Weight per 100 pc. kg
S RTSDV 100	100/3,9	277902	50
S RTSDV 150	150/5,8	278008	80
S RTSDV 200	200/7,8	274703	100
S RTSDV 250	250/9,8	278107	140
S RTSDV 300	300/11,7	278206	180
S RTSDV 400	400/15,6	278305	230
S RTSDV 500	500/19,5	278404	440
S RTSDV 550	550/21,4	278503	520
S RTSDV 600	600/23,4	278602	570
F RTSDV 100 F	100/3,9	560806	50
F RTSDV 150 F	150/5,8	560905	80
F RTSDV 200 F	200/7,8	561001	100
F RTSDV 300 F	300/11,7	561209	180
F RTSDV 400 F	400/15,6	561308	230
F RTSDV 500 F	500/19,5	561407	440
F RTSDV 550 F	550/21,4	561506	520
F RTSDV 600 F	600/23,4	561605	570

Turn-bolt locks for finish F are always made of stainless steel type E5.

To be used for: cable tray horizontal tee for side rail height of 35 mm, 60 mm, 85 mm and 110 mm, type RTS...

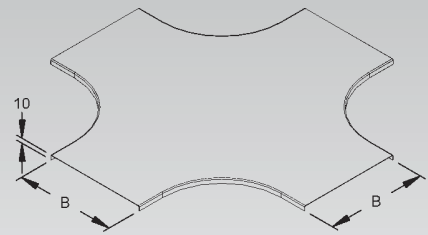
Outdoor usage requires additional securing against windloads etc. using ex. self tapping screws or steel cable ties.



Cover for Horizontal Cross

model no.	width B mm/Inch	EAN code	Weight per 100 pc. kg
S RKSD 100	100/3,9	269006	93,1
S RKSD 150	150/5,8	269105	133,1
S RKSD 200	200/7,8	269204	177,1
S RKSD 250	250/9,8	269303	225
S RKSD 300	300/11,7	269402	276,8
S RKSD 400	400/15,6	269501	392,2
S RKSD 500	500/19,5	269600	523,3
S RKSD 550	550/21,4	269709	594,7
S RKSD 600	600/23,4	269808	670,1
F RKSD 100 F	100/3,9	561704	100,1
F RKSD 150 F	150/5,8	561803	143,2
F RKSD 200 F	200/7,8	561902	190,4
F RKSD 300 F	300/11,7	562107	297,6
F RKSD 400 F	400/15,6	562206	421,6
F RKSD 500 F	500/19,5	562305	562,6
F RKSD 550 F	550/21,4	562404	639,3
F RKSD 600 F	600/23,4	562503	720,4

To be used for: cable tray horizontal cross for side rail heights of 35 mm, 60 mm, 85 mm and 110 mm, type RKS...



Cover for Horizontal Cross

with turnbolt locks

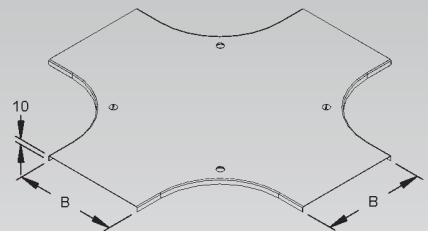
model no.	width B mm/Inch	EAN code	Weight per 100 pc. kg
S RKSDV 100	100/3,9	278701	96,4
S RKSDV 150	150/5,8	278800	136,4
S RKSDV 200	200/7,8	278909	180,4
S RKSDV 250	250/9,8	279005	228,3
S RKSDV 300	300/11,7	279104	280,1
S RKSDV 400	400/15,6	279203	395,5
S RKSDV 500	500/19,5	279302	526,6
S RKSDV 550	550/21,4	279401	598
S RKSDV 600	600/23,4	279500	673,4
F RKSDV 100 F	100/3,9	562602	103,6
F RKSDV 150 F	150/5,8	562701	146,6
F RKSDV 200 F	200/7,8	562800	193,9
F RKSDV 300 F	300/11,7	563005	301,1
F RKSDV 400 F	400/15,6	563104	425,1
F RKSDV 500 F	500/19,5	563203	566
F RKSDV 550 F	550/21,4	563302	642,8
F RKSDV 600 F	600/23,4	563401	723,8

Turn-bolt locks for finish F are always made of stainless steel type E5.

To be used for: cable tray horizontal cross for side rail heights of 35 mm, 60 mm, 85 mm and 110 mm, type RKS...

Outdoor usage requires additional securing against windloads etc. using ex. self tapping screws or steel cable ties.

use turnbolt lock RDRS 9 and cover clamp RDHF 9 E2 for extra requirements



Cover for Vertical Inside/Outside Elbow Kit

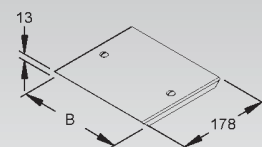
with turnbolt locks

model no.	height (H) mm/Inch	width B mm/Inch	EAN code	Weight per 100 pc. kg
S RFSDDV 60.070	60/2,3	70/2,7	844500	13,8
S RFSDDV 60.100	60/2,3	100/3,9	844524	18
S RFSDDV 60.120	60/2,3	120/4,7	844548	20,8
S RFSDDV 60.150	60/2,3	150/5,8	844562	25
S RFSDDV 60.200	60/2,3	200/7,8	844586	32
S RFSDDV 60.250	60/2,3	250/9,8	844609	39
S RFSDDV 60.300	60/2,3	300/11,7	844623	46
S RFSDDV 60.400	60/2,3	400/15,6	844647	59,9
S RFSDDV 60.500	60/2,3	500/19,5	844661	73,9
S RFSDDV 60.600	60/2,3	600/23,4	844685	87,9

To be used for: vertical inside/outside elbow kit with a side rail height of 60 mm, type RFD 60... and RSD 60...

Outdoor usage requires additional securing against windloads etc. using ex. self tapping screws or steel cable ties.

60



CABLE TRAY SYSTEM COVERS

Cover for Vertical Outside Elbow Kit

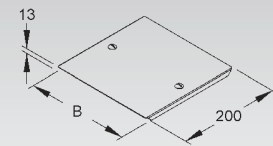
with turnbolt locks

model no.	height (H) mm/Inch	width B mm/Inch	EAN code	Weight per 100 pc. kg
S RFDDV 85.100	85/3,3	100/3,9	927845	20,7
S RFDDV 85.200	85/3,3	200/7,8	927869	36,4
S RFDDV 85.300	85/3,3	300/11,7	927883	52,1
S RFDDV 85.400	85/3,3	400/15,6	927906	67,8
S RFDDV 85.500	85/3,3	500/19,5	927920	83,5
S RFDDV 85.600	85/3,3	600/23,4	927944	99,2

To be used for: vertical inside/outside elbow kit with a side rail height of 85 mm, type RFD 85

Outdoor usage requires additional securing against windloads etc. using ex. self tapping screws or steel cable ties.

85



Cover for Vertical Inside Elbow

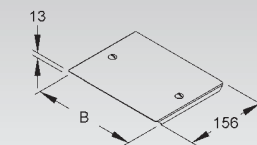
with turnbolt locks

model no.	height (H) mm/Inch	width B mm/Inch	EAN code	Weight per 100 pc. kg
S RSDDV 85.100	85/3,3	100/3,9	928323	16,4
S RSDDV 85.200	85/3,3	200/7,8	928347	28,7
S RSDDV 85.300	85/3,3	300/11,7	928361	40,9
S RSDDV 85.400	85/3,3	400/15,6	928385	53,2
S RSDDV 85.500	85/3,3	500/19,5	928408	65,4
S RSDDV 85.600	85/3,3	600/23,4	928422	77,7

To be used for: cable tray vertical inside/outside elbow for side rail height of 110 mm, type RSD 110...

Outdoor usage requires additional securing against windloads etc. using ex. self tapping screws or steel cable ties.

85



Cover for Vertical Outside Elbow Kit

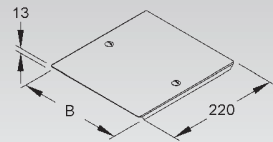
with turnbolt locks

model no.	height (H) mm/Inch	width B mm/Inch	EAN code	Weight per 100 pc. kg
S RFDDV 110.100	110/4,3	100/3,9	927968	22,6
S RFDDV 110.150	110/4,3	150/5,8	927975	31,2
S RFDDV 110.200	110/4,3	200/7,8	927982	39,9
S RFDDV 110.300	110/4,3	300/11,7	928002	57,1
S RFDDV 110.400	110/4,3	400/15,6	928026	74,4
S RFDDV 110.500	110/4,3	500/19,5	928040	91,7
S RFDDV 110.550	110/4,3	550/21,4	928057	100,3
S RFDDV 110.600	110/4,3	600/23,4	928064	108,9

To be used for: vertical inside/outside elbow kit with a side rail height of 110 mm, type RFD 110

Outdoor usage requires additional securing against windloads etc. using ex. self tapping screws or steel cable ties.

110



Cover for Vertical Inside Elbow

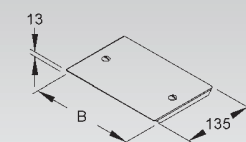
with turnbolt locks

model no.	height (H) mm/Inch	width B mm/Inch	EAN code	Weight per 100 pc. kg
S RSDDV 110.100	110/4,3	100/3,9	928446	14,4
S RSDDV 110.150	110/4,3	150/5,8	928453	19,7
S RSDDV 110.200	110/4,3	200/7,8	928460	25
S RSDDV 110.300	110/4,3	300/11,7	928484	35,6
S RSDDV 110.400	110/4,3	400/15,6	928507	46,2
S RSDDV 110.500	110/4,3	500/19,5	928521	56,8
S RSDDV 110.550	110/4,3	550/21,4	928538	62,1
S RSDDV 110.600	110/4,3	600/23,4	928545	67,4

To be used for: cable tray vertical inside/outside elbow for side rail height of 85 mm, type RSD 85...

Outdoor usage requires additional securing against windloads etc. using ex. self tapping screws or steel cable ties.

110



Turn-bolt Lock

model no.	acc. incl.	EAN code	Weight per 100 pc. kg
S RDRS 9	1 FLM 6x12, 1 SM 6	269907	1,2
F RDRS 9 F	1 FLM 6x12 E3, 1 U M6 E3, 1 SM 6 E3	563463	1,6
E3 RDRS 9 E3	1 FLM 6x12 E3, 1 US M6 E3, 1 SM 6 E3	337705	1,6

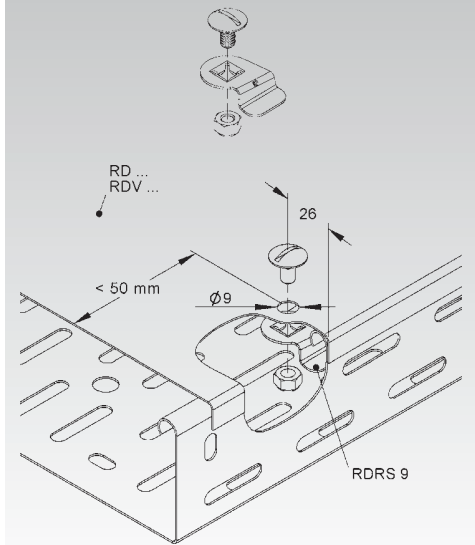
for subsequent or additional mounting to the cover

To be used for: cable tray cover, type RD...

Outdoor usage requires additional securing against windloads etc. using ex. self tapping screws or steel cable ties.

Please maintain a minimum distance of 50 mm from both ends of the cover.

delivered as a kit (not assembled)



Turn-bolt Lock

model no.	acc. incl.	EAN code	Weight per 100 pc. kg
S RDRS 2	1 FLM 6x12, 1 SM 6	270002	1,3
E3 RDRS 2 E3	1 FLM 6x12 E3, 1 US M6 E3, 1 SM 6 E3	337606	1,5

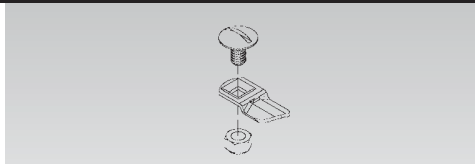
for subsequent or additional mounting to the cover

To be used for: Cable Tray Cover RDSV 50 and RDSV 100 and corresponding fittings

Outdoor usage requires additional securing against windloads etc. using ex. self tapping screws or steel cable ties.

Please maintain a minimum distance of 50 mm from both ends of the cover.

delivered as a kit (not assembled)



Turn-bolt Lock

model no.	acc. incl.	EAN code	Weight per 100 pc. kg
S RDRS 2/50	1 FLM 6x12, 1 SM 6	270101	1,3
E3 RDRS 2/50 E3	1 FLM 6x12 E3, 1 US M6 E3, 1 SM 6 E3	337651	1,5

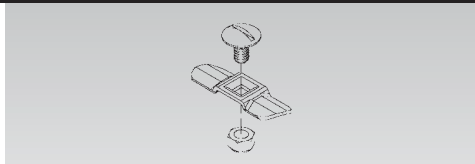
for subsequent or additional mounting to the cover

To be used for: Cable Tray Cover RDSV 50 and corresponding fittings

Outdoor usage requires additional securing against windloads etc. using ex. self tapping screws or steel cable ties.

Please maintain a minimum distance of 50 mm from both ends of the cover.

delivered as a kit (not assembled)



CABLE TRAY SYSTEM COVERS

Cover Clamp

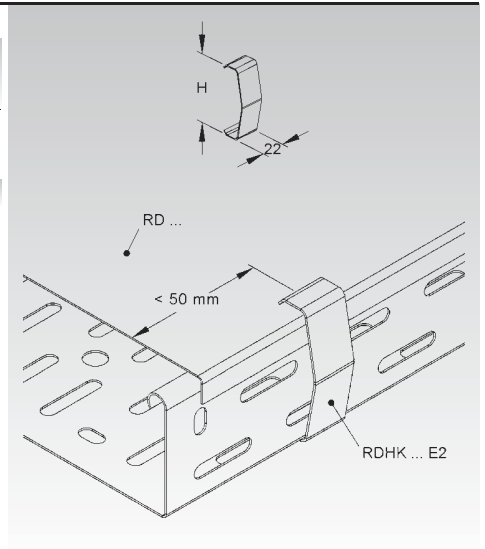
model no.	height (H) mm/Inch	EAN code	Weight per 100 pc. kg
★ E2 RDHK 60 E2	58/2,3	911851	2
★ E2 RDHK 110 E2	108/4,2	911868	3

for attaching covers on cable trays without using a turnbolt lock

To be used for: cable tray cover, type RD...

For horizontally mounted covers only. Please maintain a minimum distance of 50 mm from both ends of the cover when installing the stainless steel clamp RDHF 9 E2.

Outdoor usage requires additional securing against windloads etc. using ex. self tapping screws or steel cable ties.



Cover Clamp

model no.	EAN code	Weight per 100 pc. kg
★ E2 RDHF 9 E2	920457	5

for attaching covers on cable trays without using a turnbolt lock

To be used for: cable tray cover, type RD...

For horizontally mounted covers only. Please maintain a minimum distance of 50 mm from both ends of the cover when installing the stainless steel clamp RDHF 9 E2.

Outdoor usage requires additional securing against windloads etc. using ex. self tapping screws or steel cable ties.

